

# INSTALLATION INSTRUCTION

## Volta 2" LED - Remodel Housing Invisible Trim

R2RRL-15, R2RRL-22, R2SRL-15, R2SRL-22

**WAC LIGHTING**  
Responsible Lighting®

### SAFETY INSTRUCTION

IMPORTANT: NEVER attempt any work without shutting off the electricity.

- Read all instructions before installing.
- System is intended for installation by a qualified electrician in accordance with the National Electrical Code and local regulations.
- Go to the main fuse box, or circuit breaker. Place the main power switch in the "OFF" position and unscrew the fuse(s) or switch "OFF" the circuit breaker switch(es) that control the power to the fixture or room that you are working on.
- Place the wall switch in the "OFF" position.

### AVERTISSEMENT

IMPORTANT : Coupez l'électricité avant TOUTE manipulation.

- Lisez toutes les instructions avant d'installer.
- Système est destiné à être installé par un électricien qualifié en conformité avec le code national de l'électricité et les règlements locaux.
- Accédez au panneau central de disjoncteurs ou de fusibles de votre demeure et placez l'interrupteur principal en position d'arrêt (« OFF »).
- Placez l'interrupteur mural en position d'arrêt (« OFF »).

### CAUTION:

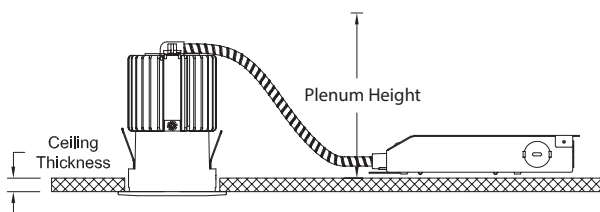
All parts must be used as indicated in these instructions. Do not substitute any parts, leave parts out, or use any parts that are worn out or broken. Failure to follow this instruction could invalidate the ETL/cETL listing of this fixture.

### OVERVIEW:

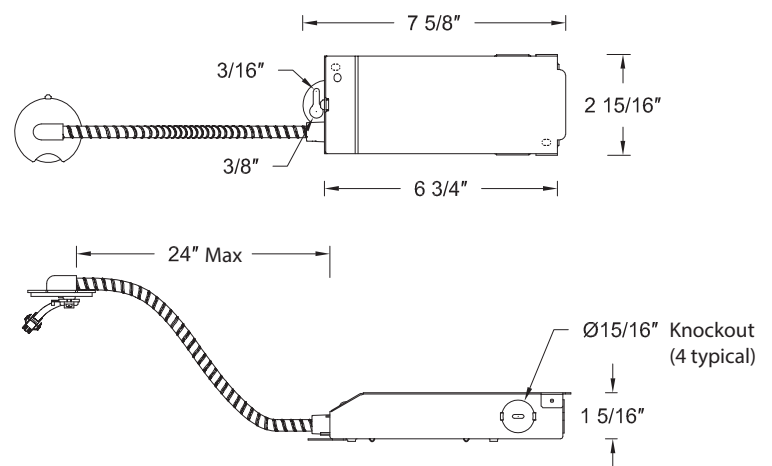
Housing is remodel Non-IC. Housing requires a trim for a finished look. Refer to specification sheets for compatible trim options.

### INSTALLATION REQUIREMENT

Ceiling Thickness	Minimum Required Plenum Height
1/2"	5 1/2"
1"	5"



### OVERALL HOUSING DIMENSION



### SPECIFICATIONS

Input:	120-277V, 50/60Hz
Installation:	Non-IC
Dimming:	ELV(120V)/0-10V

wacighting.com  
Phone (800) 526.2588  
Fax (800) 526.2585

Headquarters/Eastern Distribution Center  
44 Harbor Park Drive  
Port Washington, NY 11050

Central Distribution Center  
1600 Distribution Ct  
Lithia Springs, GA 30122

Western Distribution Center  
1750 Archibald Avenue  
Ontario, CA 91760

# INSTALLATION INSTRUCTION

## Volta 2" LED - Remodel Housing Invisible Trim

R2RRL-15, R2RRL-22, R2SRL-15, R2SRL-22

WAC LIGHTING  
Responsible Lighting®

### HOUSING INSTALLATION:

- At the point of installation, cut a 4 1/4" round hole for a round trim or a 4 1/4" X 4 1/4" square hole for a square trim (See **FIG. 1**).

Note: Ceiling thickness table below

Housing	Trim Model	Trim Description	Ceiling Thickness	
			1/2"	1"
R2BRT* Remodel	R2RD2T, R2SD2T	Downlight	Yes	Yes
	R2RD1T, R2SD1T	Shallow Regressed Downlight	Yes	Yes
	R2RWT, R2SWT	Wall wash	Yes	Yes
	R2RAT, R2SAT	Adjustable	Yes, to 45°	Yes, to 35°
	R2RPT, R2SPT	Pin Hole	Yes, to 45°	Yes, to 35°

- Pull building supply wires through ceiling cutout and open fixture junction box door (See **FIG. 2**).

Remove desired housing knockout and feed building wires into housing using appropriate connector.

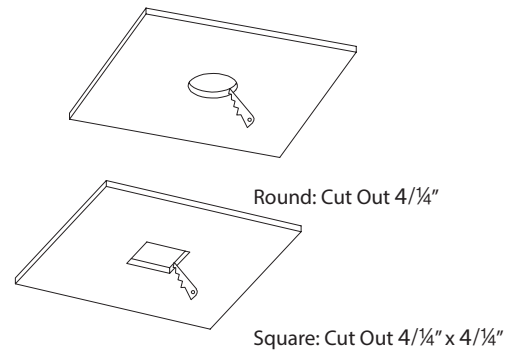
- Connect fixture wires to building wires: insert each supply wire into appropriate junction box connector. This fixture features electronic low voltage (ELV) or 0-10V dimming capabilities. To utilize ELV, wire black (line hot), white (line neutral), and green (ground) in accordance to dimmer specifications.

To utilize 0-10V dimming, wire purple (dim+), gray (dim-), black (line hot), white (line neutral) and green (ground) in accordance to dimmer specifications.

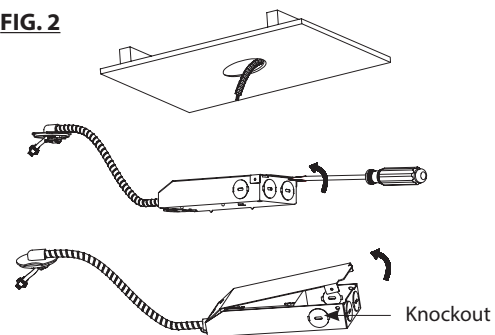
When not using a dimmer, connect black fixture wire to hot, white fixture wire to neutral and green fixture wire to ground. Leave all other wires capped individually (See **FIG. 3**).

- Place all wiring and connectors back in junction box and replace the junction box's cover (See **FIG. 4**).

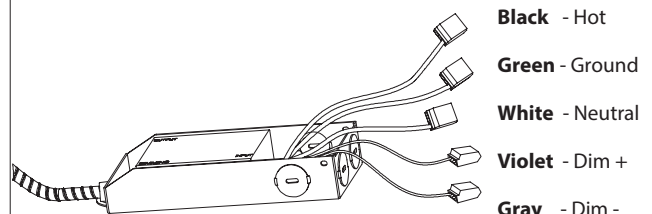
**FIG. 1**



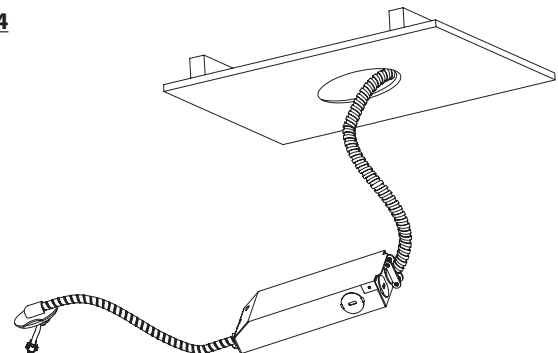
**FIG. 2**



**FIG. 3**



**FIG. 4**



wacighting.com  
Phone (800) 526.2588  
Fax (800) 526.2585

Headquarters/Eastern Distribution Center  
44 Harbor Park Drive  
Port Washington, NY 11050

Central Distribution Center  
1600 Distribution Ct  
Lithia Springs, GA 30122

Western Distribution Center  
1750 Archibald Avenue  
Ontario, CA 91760

# INSTALLATION INSTRUCTION

## Volta 2" LED - Remodel Housing Invisible Trim

R2RRL-15, R2RRL-22, R2SRL-15, R2SRL-22

- Guide junction box through the cut hole and secure appropriately using either internal mounting slots or external key hole (See **FIG. 5**).
- Insert upper frame through ceiling opening. Angling may be required (See **FIG. 6**).
- Raise invisible trim frame to ceiling cut out and insert alignment bars into upper frame alignment slots (See **FIG. 7**).
- With upper frame and invisible trim frame flush with both ceiling surfaces, hand bend the alignment bars parallel to ceiling (See **FIG. 8**).
- Insert four provided screws (short screws for up to 1/2" ceiling and long screws for up to 1" ceiling thickness) through countersink holes on invisible trim frame, through ceiling and into holes in upper frame. Do not over tighten screws (See **FIG. 8**).
- Insert plaster shield inside trim opening. Apply plaster or spackle over invisible trim frame and sand surface dry for finished look (See **FIG. 9**).
- Remove the plaster shield when finishing is complete (See **FIG. 10**).
- Refer to installation instructions for appropriate trim to complete the installation

