

OCULUX ARCHITECTURAL 3.5" Dim To Warm

WAC LIGHTING

New Construction and Remodel Housing

SPECIFICATIONS

Construction:	20 Gauge cold rolled steel
Dimming:	100% - 5% 0-10V 100% - 1% ELV, TRIAC
Input:	120 - 277V AC
Cut out:	New Construction: 4¼", Remodel: 3⅞"
Ceiling Thickness:	½" - 1"
Mounting:	Retention clips firmly hold light engine to housing
Standards:	UL&cUL
Warranty:	5 year WAC Lighting product warranty

Fixture Type:

Catalog Number:

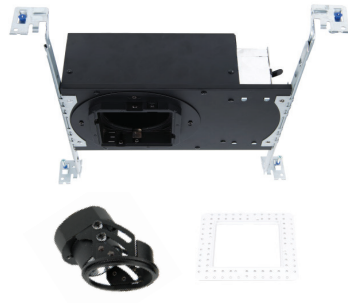
Project:

Location:

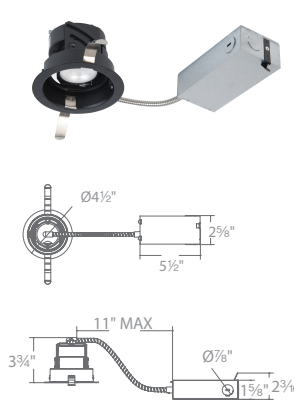
Round New Construction



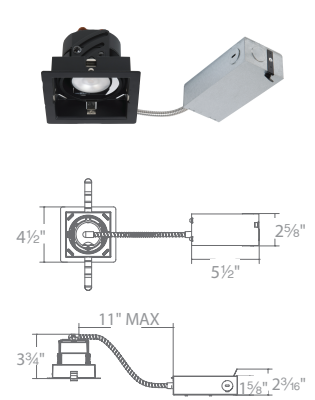
Square New Construction



Round Remodel Trim

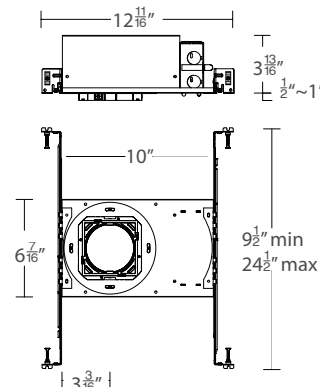
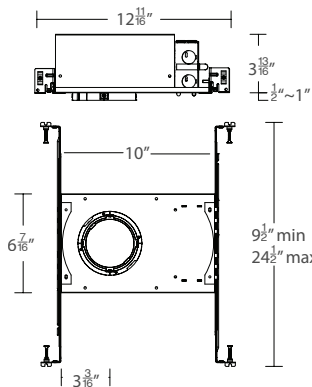


Square Remodel Trim

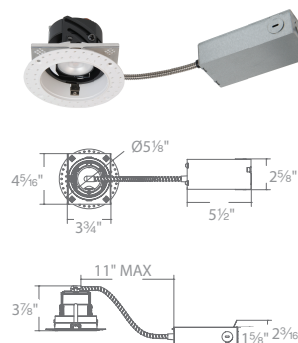


- Trimless: Die-cast spackle frame included

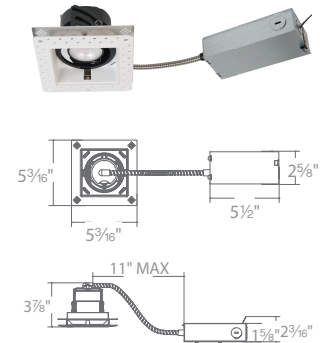
- Trimless: Die-cast spackle frame included



Round Remodel Trimless



Square Remodel Trimless



HOUSINGS

	Model	Rating	Power	Color Temp
Round	R3CRN Round New Construction	IC Airtight	13 W	WD 3000K-1800K
	R3CRN Round New Construction	Non IC, Airtight		
	R3CRR Round Remodel Trim	Non IC	16 W	
	R3CRRL Round Remodel Trimless			
Square	R3CSN Square New Construction	IC Airtight	13 W	WD 3000K-1800K
	R3CSN Square New Construction	Non IC, Airtight		
	R3CSR Square Remodel Trim	Non IC	16 W	
	R3CSRLL Square Remodel Trimless			

R3C _____ - _____ - **WD**

Example: **R3CRN-13-WD**

wacighting.com
Phone (800) 526.2588
Fax (800) 526.2585

Headquarters/Eastern Distribution Center
44 Harbor Park Drive
Port Washington, NY 11050

Central Distribution Center
1600 Distribution Ct
Lithia Springs, GA 30122

Western Distribution Center
1750 Archibald Avenue
Ontario, CA 91760