

INSTALLATION INSTRUCTIONS

469 –LED PENDANT

PD-46920, PD-46925

dweLED
by WAC Lighting

CAUTION: TO PREVENT ELECTRICAL SHOCK, ENSURE ELECTRICITY HAS BEEN TURNED OFF AT THE CIRCUIT BREAKER BEFORE BEGINNING.

- Read all instructions before installing.
- System is intended for installation by a licensed electrician in accordance with the National Electrical Code (NEC) and local regulations.
- When handling the fixture, do not apply pressure to the LEDs. Hold the fixture by the base only.
- Retain installation instructions for future maintenance reference.

WARNING: All parts must be used as indicated in these instructions. This product is designed for use only with the supplied parts and/or accessories designated for use by dweLED. Substitution of parts or accessories not designated for use with this product by dweLED could result in personal injury or property damage, and will void the warranty. Contact an authorized dealer or the manufacturer if any parts are damaged or missing.

MAINTENANCE NOTE: Coastal conditions may cause mineral and residue build-up on the fixture. We recommend that customers in coastal areas clean all external surfaces of the fixture once every two weeks with a wet cloth.

MISE EN GARDE: Pour éviter tout choc électrique, assurez-vous que le disjoncteur soit mis hors tension avant de commencer.

- Lisez toutes les instructions avant l'installation.
- Le système doit être installé par un électricien licencié conformément au code national de l'électricité (NEC), et également aux règlements locaux.
- Lors de la manipulation du luminaire, n'appuyez pas sur les LED. Tenez-le uniquement par la base.

ATTENTION: Toutes les pièces doivent être utilisées comme indiqué dans ces instructions. Ce produit est conçu pour être utilisé seulement avec les pièces et/ou accessoires fournis pour être utilisés avec les produits dweLED. Remplacer des pièces ou accessoires non conçus pour ce produit dweLED pourrait causer des dommages corporels ou matériels et pourrait également causer l'annulation de la garantie. Veuillez contacter un revendeur autorisé ou le fabricant si des pièces manquent ou sont endommagées.

NOTE D'ENTRETIEN: Les conditions côtières peut causer une accumulation de minéraux et de résidus sur le luminaire. Nous recommandons aux clients qui résident dans les zones côtières de nettoyer toutes les surfaces externes du luminaire une fois toutes les deux semaines avec un chiffon humide.

HARDWARE



Wire Connector
Qty: 3pcs+1 Extra



Mounting Screw
Qty: 1 Extra
5/32-32x5/16



Wood Screw
Qty: 3pcs+1 Extra
Ø4x22



Plastic Anchor
Qty: 3pcs+1 Extra
Ø7.5x24

dweLED.com
Phone (800) 526.2588
Fax (800) 526.2585

Headquarters/Eastern Distribution Center
44 Harbor Park Drive
Port Washington, NY 11050

Central Distribution Center
1600 Distribution Ct
Lithia Springs, GA 30122

Western Distribution Center
1750 Archibald Ave
Ontario, CA 91761

INSTALLATION INSTRUCTIONS

469 –LED PENDANT

PD-46920, PD-46925

PREPARATION

1. Shut off the power at the circuit breaker and remove existing fixture, including the crossbar.
2. Carefully unpack your new fixture and lay out all the parts on a clear area. Be careful not to lose any small parts necessary for installation.

MOUNTING THE FIXTURE (Fig. 1)

3. Remove the mounting screw (B) from the fixture.
4. Drill holes in the wall aligned with the key holes located on the back plate. Insert the plastic anchor (D).
5. Secure the mounting back plate to the junction box using the screws provided with the junction box. Fasten the back plate to the wall with the plastic anchors using the wood screws (C) provided.

NOTE: The side of the mounting plate marked "GND" must face out.

CONNECTING THE WIRES (Fig. 2)

6. Adjust the fixture wire length by pushing the cable gripper on the canopy and pulling the wire as desired.
 - a. Retract the wires close to the desired length within the canopy before securing the fixture in place.

NOTE: Using the cable gripper to adjust more than 18" of wire length is not desirable.

WARNING: Shortening the cables without professional help or electronic background is not advisable. Any modifications to the fixture will result in voiding the warranty of the product.

7. Connect the driver's input/output wires with junction box wires as shown (Fig. 2). Make sure that all wire connectors (A) are secure. If your outlet box has a green or bare copper ground wire, connect the fixture's ground wire to it. Otherwise, connect the fixture's ground wire directly to the back plate using the green screw provided. After wires are connected, tuck them carefully inside the junction box.

NOTE: This fixture features electronic low voltage (ELV) or 0-10V dimming capabilities. See notes below for specific dimming wiring information.

COMPLETING THE INSTALLATION

8. Secure the fixture to the mounting back plate using the mounting screw (B).

DIMMING WIRING INSTRUCTIONS (Fig. 3)

9. To utilize ELV dimming: use black (hot), white (neutral) and bare copper ground wires (ground).
10. To utilize 0-10V dimming: use purple (dim+), gray (dim-), black (hot), white (neutral) and bare copper ground wires (ground).

Fig. 2 Wiring

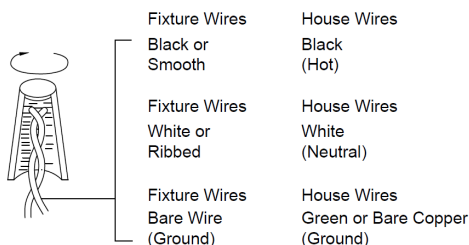
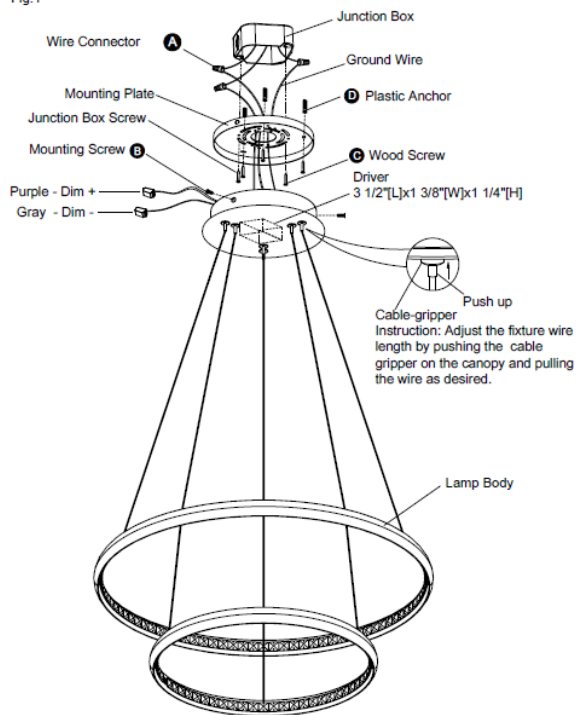


Fig. 1



Mounting Backplate Dimensions
PD-46920&PD-46925

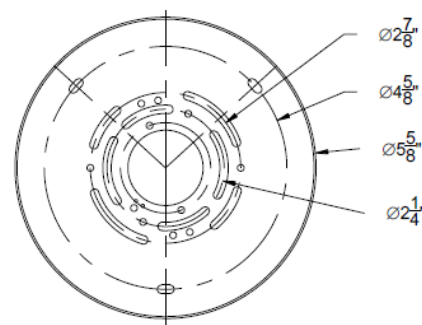
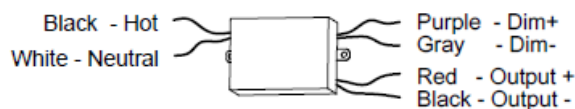


Fig. 3 Driver Wiring



INSTALLATION INSTRUCTIONS

469 –LED PENDANT

PD-46933

dweLED
by WAC Lighting

CAUTION: TO PREVENT ELECTRICAL SHOCK, ENSURE ELECTRICITY HAS BEEN TURNED OFF AT THE CIRCUIT BREAKER BEFORE BEGINNING.

- Read all instructions before installing.
- System is intended for installation by a licensed electrician in accordance with the National Electrical Code (NEC) and local regulations.
- When handling the fixture, do not apply pressure to the LEDs. Hold the fixture by the base only.
- Retain installation instructions for future maintenance reference.

WARNING: All parts must be used as indicated in these instructions. This product is designed for use only with the supplied parts and/or accessories designated for use by dweLED. Substitution of parts or accessories not designated for use with this product by dweLED could result in personal injury or property damage, and will void the warranty. Contact an authorized dealer or the manufacturer if any parts are damaged or missing.

MAINTENANCE NOTE: Coastal conditions may cause mineral and residue build-up on the fixture. We recommend that customers in coastal areas clean all external surfaces of the fixture once every two weeks with a wet cloth.

MISE EN GARDE: Pour éviter tout choc électrique, assurez-vous que le disjoncteur soit mis hors tension avant de commencer.

- Lisez toutes les instructions avant l'installation.
- Le système doit être installé par un électricien licencié conformément au code national de l'électricité (NEC), et également aux règlements locaux.
- Lors de la manipulation du luminaire, n'appuyez pas sur les LED. Tenez-le uniquement par la base.

ATTENTION: Toutes les pièces doivent être utilisées comme indiqué dans ces instructions. Ce produit est conçu pour être utilisé seulement avec les pièces et/ou accessoires fournis pour être utilisés avec les produits dweLED. Remplacer des pièces ou accessoires non conçus pour ce produit dweLED pourrait causer des dommages corporels ou matériels et pourrait également causer l'annulation de la garantie. Veuillez contacter un revendeur autorisé ou le fabricant si des pièces manquent ou sont endommagées.

NOTE D'ENTRETIEN: Les conditions côtières peut causer une accumulation de minéraux et de résidus sur le luminaire. Nous recommandons aux clients qui résident dans les zones côtières de nettoyer toutes les surfaces externes du luminaire une fois toutes les deux semaines avec un chiffon humide.

HARDWARE



Wire Connector
Qty: 3pcs+1 Extra



Mounting Screw
Qty: 1 Extra
5/32-32x5/16



Wood Screw
Qty: 3pcs+1 Extra
Ø4x22



Plastic Anchor
Qty: 3pcs+1 Extra
Ø7.5x24

INSTALLATION INSTRUCTIONS

469 –LED PENDANT

PD-46933

PREPARATION

1. Shut off the power at the circuit breaker and remove existing fixture, including the crossbar.
2. Carefully unpack your new fixture and lay out all the parts on a clear area. Be careful not to lose any small parts necessary for installation.

MOUNTING THE FIXTURE (Fig. 1)

3. Remove the mounting screw (B) from the fixture.
4. Drill holes in the wall aligned with the key holes located on the back plate. Insert the plastic anchor (D).
5. Secure the mounting back plate to the junction box using the screws provided with the junction box. Fasten the back plate to the wall with the plastic anchors using the wood screws (C) provided.

NOTE: The side of the mounting plate marked "GND" must face out.

CONNECTING THE WIRES (Fig. 2)

6. Adjust the fixture wire length by pushing the cable-gripper on the canopy and pulling the wire as desired.
 - a. Retract the wires close to the desired length within the canopy before securing the fixture in place.

NOTE: Using the cable gripper to adjust more than 18" of wire length is not recommended.

WARNING: Shortening the cables without professional help or electronic background is not advisable. Any modifications to the fixture will result in voiding the warranty of the product.

7. Hook the safety cord to the mounting back plate slot.
8. Connect the driver input/output wires with junction box wires as shown (Fig. 2). Make sure that all wire connectors (A) are secure. If your outlet box has a green or bare copper ground wire, connect the fixture's ground wire to it. Otherwise, connect the fixture's ground wire directly to the back plate using the green screw provided. After wires are connected, tuck them carefully inside the junction box.

NOTE: This fixture features electronic low voltage (ELV) or 0-10V dimming capabilities. See notes below for specific dimming wiring information.

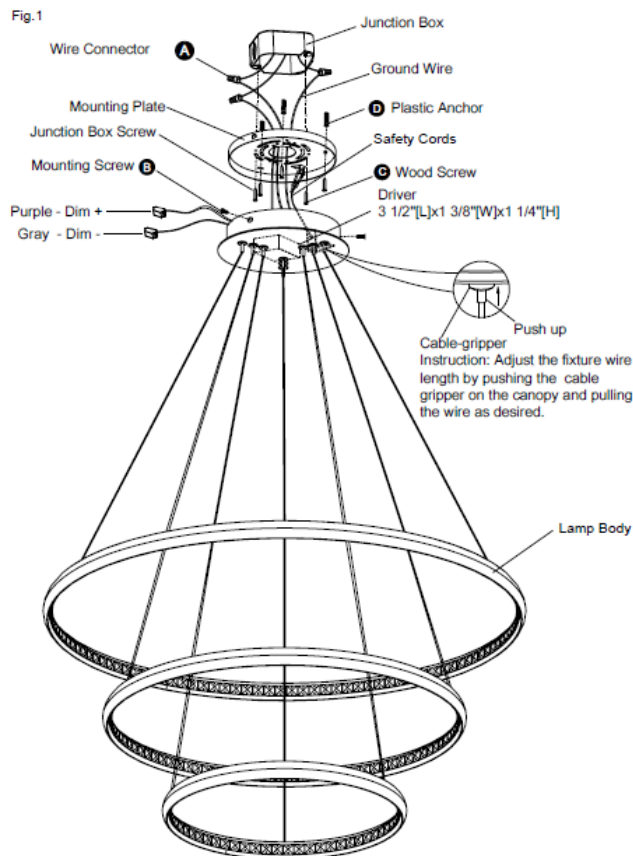
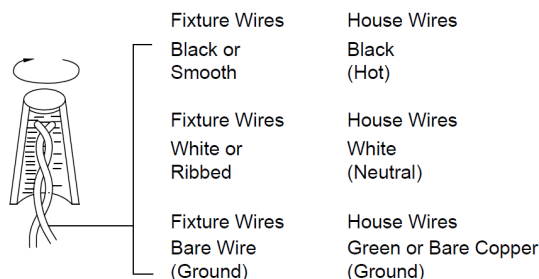
COMPLETING THE INSTALLATION

9. Secure the fixture to the mounting back plate using the mounting screw (B).

DIMMING WIRING INSTRUCTIONS (Fig. 3)

10. To utilize ELV dimming: use black (hot), white (neutral) and bare copper ground wires (ground).
11. To utilize 0-10V dimming: use purple (dim+), gray (dim-), black (hot), white (neutral) and bare copper ground wires (ground).

Fig. 2 Wiring



Mounting Backplate Dimensions
PD-46933

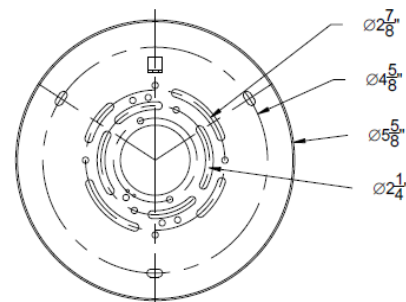
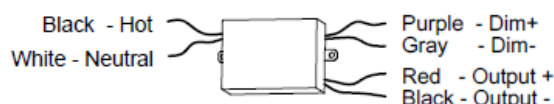


Fig. 3 Driver Wiring



INSTALLATION INSTRUCTIONS

469 –LED PENDANT

PD-46954

dweLED
by WAC Lighting

CAUTION: TO PREVENT ELECTRICAL SHOCK, ENSURE ELECTRICITY HAS BEEN TURNED OFF AT THE CIRCUIT BREAKER BEFORE BEGINNING.

- Read all instructions before installing.
- System is intended for installation by a licensed electrician in accordance with the National Electrical Code (NEC) and local regulations.
- When handling the fixture, do not apply pressure to the LEDs. Hold the fixture by the base only.
- Retain installation instructions for future maintenance reference.

WARNING: All parts must be used as indicated in these instructions. This product is designed for use only with the supplied parts and/or accessories designated for use by dweLED. Substitution of parts or accessories not designated for use with this product by dweLED could result in personal injury or property damage, and will void the warranty. Contact an authorized dealer or the manufacturer if any parts are damaged or missing.

MAINTENANCE NOTE: Coastal conditions may cause mineral and residue build-up on the fixture. We recommend that customers in coastal areas clean all external surfaces of the fixture once every two weeks with a wet cloth.

MISE EN GARDE: Pour éviter tout choc électrique, assurez-vous que le disjoncteur soit mis hors tension avant de commencer.

- Lisez toutes les instructions avant l'installation.
- Le système doit être installé par un électricien licencié conformément au code national de l'électricité (NEC), et également aux règlements locaux.
- Lors de la manipulation du luminaire, n'appuyez pas sur les LED. Tenez-le uniquement par la base.

ATTENTION: Toutes les pièces doivent être utilisées comme indiqué dans ces instructions. Ce produit est conçu pour être utilisé seulement avec les pièces et/ou accessoires fournis pour être utilisés avec les produits dweLED. Remplacer des pièces ou accessoires non conçus pour ce produit dweLED pourrait causer des dommages corporels ou matériels et pourrait également causer l'annulation de la garantie. Veuillez contacter un revendeur autorisé ou le fabricant si des pièces manquent ou sont endommagées.

NOTE D'ENTRETIEN: Les conditions côtières peut causer une accumulation de minéraux et de résidus sur le luminaire. Nous recommandons aux clients qui résident dans les zones côtières de nettoyer toutes les surfaces externes du luminaire une fois toutes les deux semaines avec un chiffon humide.

HARDWARE



Wire Connector
Qty: 3pcs+1 Extra



Mounting Screw
Qty: 1 Extra
5/32-32x5/16



Wood Screw
Qty: 3pcs+1 Extra
Ø4x22



Plastic Anchor
Qty: 3pcs+1 Extra
Ø7.5x24

dweLED.com
Phone (800) 526.2588
Fax (800) 526.2585

Headquarters/Eastern Distribution Center
44 Harbor Park Drive
Port Washington, NY 11050

Central Distribution Center
1600 Distribution Ct
Lithia Springs, GA 30122

Western Distribution Center
1750 Archibald Ave
Ontario, CA 91761

INSTALLATION INSTRUCTIONS

469 –LED PENDANT

PD-46954

PREPARATION

1. Shut off the power at the circuit breaker and remove existing fixture, including the crossbar.
2. Carefully unpack your new fixture and lay out all the parts on a clear area. Be careful not to lose any small parts necessary for installation.

MOUNTING THE FIXTURE (Fig. 1)

3. Remove the mounting screw (B) from the fixture.
4. Drill holes in the wall aligned with the key holes located on the back plate. Insert the plastic anchor (D).
5. Secure the mounting back plate to the junction box using the screws provided with the junction box. Fasten the back plate to the wall with the plastic anchors using the wood screws (C) provided.

NOTE: The side of the mounting plate marked "GND" must face out.

CONNECTING THE WIRES (Fig. 2)

6. Adjust the fixture wire length by pushing the cable gripper on the canopy and pulling the wire as desired.
 - a. Retract the wires close to the desired length within the canopy before securing the fixture in place.

NOTE: Using the cable-gripper to adjust more than 18" of wire length is not recommended.

WARNING: Shortening the cables without professional help or electronic background is not advisable. Any modifications to the fixture will result in voiding the warranty of the product.

7. Hook the safety cord to the mounting back plate slot.
8. Connect the driver input/output wires with junction box wires as shown (Fig. 2). Make sure that all wire connectors (A) are secure. If your outlet box has a green or bare copper ground wire, connect the fixture's ground wire to it. Otherwise, connect the fixture's ground wire directly to the back plate using the green screw provided. After wires are connected, tuck them carefully inside the junction box.
9. **NOTE:** This fixture features electronic low voltage (ELV) or 0-10V dimming capabilities. See notes below for specific dimming wiring information.

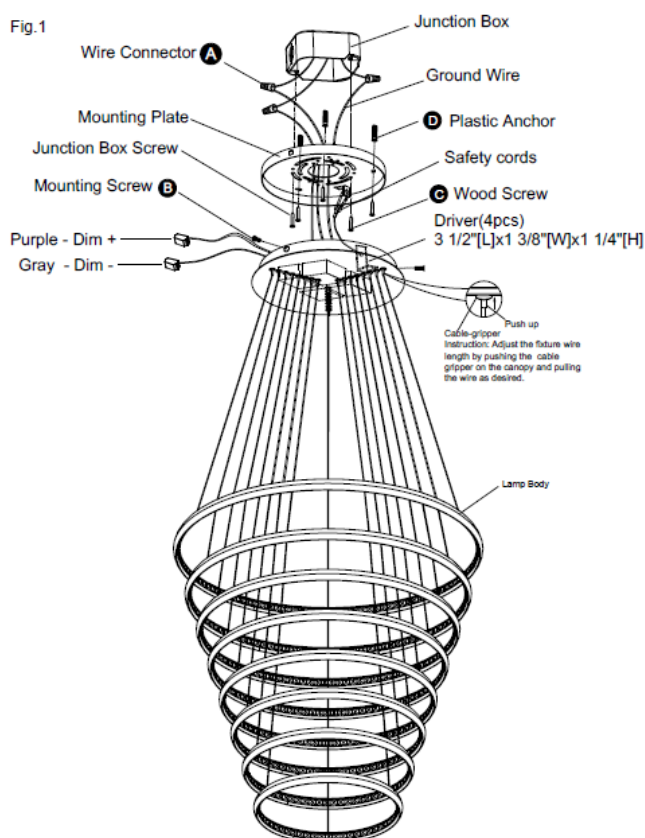
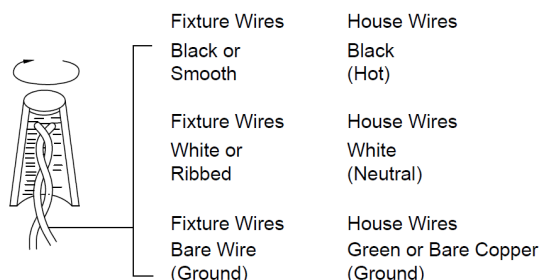
COMPLETING THE INSTALLATION

10. Secure the fixture to the mounting back plate using the mounting screw (B).

DIMMING WIRING INSTRUCTIONS (Fig. 3)

11. To utilize ELV dimming: use black (hot), white (neutral) and bare copper ground wires (ground).
12. To utilize 0-10V dimming: use purple (dim+), gray (dim-), black (hot), white (neutral) and bare copper ground wires (ground).

Fig. 2 Wiring



Mounting Backplate Dimensions
PD-46954

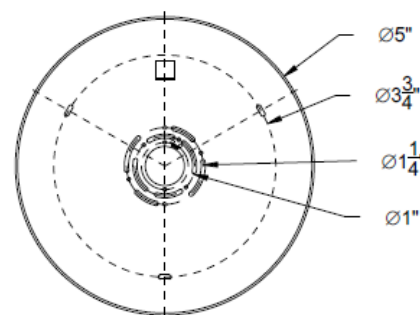


Fig.3 Driver Wiring

