

Fixture Type: \_\_\_\_\_

Catalog Number: \_\_\_\_\_

Project: \_\_\_\_\_

Location: \_\_\_\_\_

## Slice Ceiling Mount

Model & Size	Color Temp & CRI	Finish	Watt	LED Lumens	Delivered Lumens	Title 24
FM-4109 9"	2700K 90	BN Brushed Nickel	16.5W	1515	700	Yes
	2700K 90	BZ Bronze	16.5W	1515	700	Yes
	2700K 90	CH Chrome	16.5W	1515	700	Yes
	3000K 90	BN Brushed Nickel	16.5W	1540	720	Yes
	3000K 90	BZ Bronze	16.5W	1540	720	Yes
	3000K 90	CH Chrome	16.5W	1540	720	Yes

Example: **FM-4109-27-BN**

- For alternate color temperature, special order adding -27 or -30 or -35: FM-4115-35-BN
- For 277V special order, add an "F" before the finish: FM-4115F-27-BN

### DESCRIPTION

Simple and sweet, Slice packs an illuminating punch of robust illumination. The round centerpiece imparts a rich glow and an understated contemporary style. A clean and simple luminaire that will blend with any interior.

### FEATURES

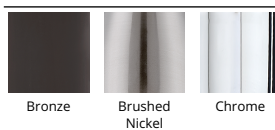
- Etched 3/4" thick pressed glass diffuser with interior ceramic glaze
- Title 24 may not be available for all finishes, check for availability
- ACLED driverless technology
- 5 year warranty

### SPECIFICATIONS

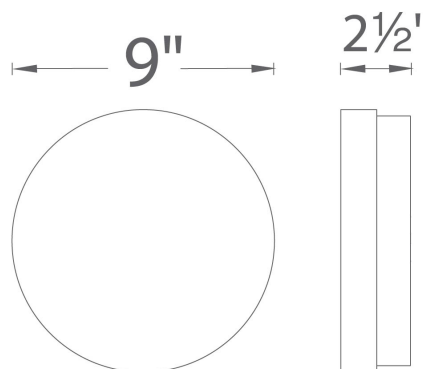
<b>Color Temp:</b>	2700K, 3000K
<b>Input:</b>	120 VAC, 50/60Hz
<b>CRI:</b>	90
<b>Dimming:</b>	ELV: 100 - 10%
<b>Rated Life:</b>	45000 Hours
<b>Mounting:</b>	Heavy gauge retention clips support trim firmly. Safety cabling standard., Can be mounted on ceiling or wall in all orientations
<b>Standards:</b>	ETL, cETL, Energy Star 2.0, Title 24 JA8-2016 Compliant Damp Location Listed
<b>Construction:</b>	Durable steel body with thick opal glass



### FINISHES



### LINE DRAWING



FM-4109

Fixture Type: \_\_\_\_\_

Catalog Number: \_\_\_\_\_

Project: \_\_\_\_\_

Location: \_\_\_\_\_

## Slice Ceiling Mount

Model & Size	Color Temp & CRI	Finish	Watt	LED Lumens	Delivered Lumens	Title 24
FM-4111 11"	2700K 90	BN Brushed Nickel	26W	2300	1050	Yes
	2700K 90	BZ Bronze	26W	2300	1050	Yes
	2700K 90	CH Chrome	26W	2300	1050	Yes
	3000K 90	BN Brushed Nickel	26W	2315	1080	Yes
	3000K 90	BZ Bronze	26W	2315	1080	Yes
	3000K 90	CH Chrome	26W	2315	1080	Yes

Example: **FM-4111-27-BN**

- For alternate color temperature, special order adding -27 or -30 or -35: FM-4115-35-BN
- For 277V special order, add an "F" before the finish: FM-4115F-27-BN

### DESCRIPTION

Simple and sweet, Slice packs an illuminating punch of robust illumination. The round centerpiece imparts a rich glow and an understated contemporary style. A clean and simple luminaire that will blend with any interior.

### FEATURES

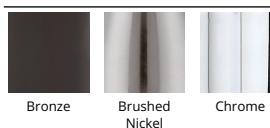
- Etched 3/4" thick pressed glass diffuser with interior ceramic glaze
- Title 24 may not be available for all finishes, check for availability
- ACLED driverless technology
- 5 year warranty

### SPECIFICATIONS

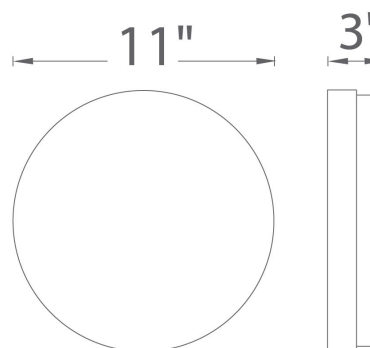
<b>Color Temp:</b>	2700K, 3000K
<b>Input:</b>	120 VAC, 50/60Hz
<b>CRI:</b>	90
<b>Dimming:</b>	ELV: 100 - 10%
<b>Rated Life:</b>	45000 Hours
<b>Mounting:</b>	Heavy gauge retention clips support trim firmly. Safety cabling standard., Can be mounted on ceiling or wall in all orientations
<b>Standards:</b>	ETL, cETL, Energy Star 2.0, Title 24 JA8-2016 Compliant Damp Location Listed
<b>Construction:</b>	Durable steel body with thick opal glass



### FINISHES



### LINE DRAWING



FM-4111

Fixture Type: \_\_\_\_\_

Catalog Number: \_\_\_\_\_

Project: \_\_\_\_\_

Location: \_\_\_\_\_

## Slice Ceiling Mount

Model & Size	Color Temp & CRI	Finish	Watt	LED Lumens	Delivered Lumens	Title 24
FM-4115 14"	2700K 90	BN Brushed Nickel	24.7W	2557	1408	No
	2700K 90	BZ Bronze	24.7W	2557	1408	No
	2700K 90	CH Chrome	24.7W	2557	1408	No
	3000K 90	BN Brushed Nickel	25W	2753	1463	Yes
	3000K 90	BZ Bronze	25W	2753	1463	Yes
	3000K 90	CH Chrome	25W	2753	1463	No

Example: **FM-4115-27-BN**

- For alternate color temperature, special order adding -27 or -30 or -35: FM-4115-35-BN
- For 277V special order, add an "F" before the finish: FM-4115F-27-BN

### DESCRIPTION

Simple and sweet, Slice packs an illuminating punch of robust illumination. The round centerpiece imparts a rich glow and an understated contemporary style. A clean and simple luminaire that will blend with any interior.

### FEATURES

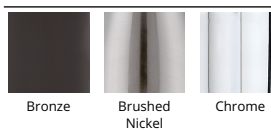
- Etched 3/4" thick pressed glass diffuser with interior ceramic glaze
- Title 24 may not be available for all finishes, check for availability
- ACLED driverless technology
- 5 year warranty

### SPECIFICATIONS

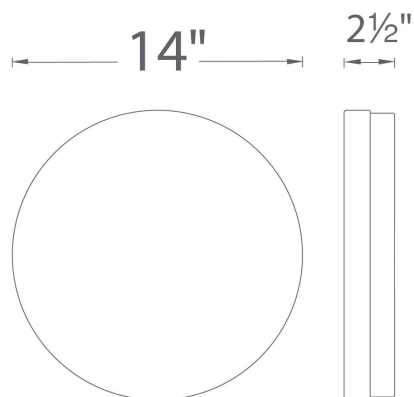
<b>Color Temp:</b>	2700K, 3000K
<b>Input:</b>	120 VAC, 50/60Hz
<b>CRI:</b>	90
<b>Dimming:</b>	ELV: 100 - 10%
<b>Rated Life:</b>	45000 Hours
<b>Mounting:</b>	Heavy gauge retention clips support trim firmly. Safety cabling standard., Can be mounted on ceiling or wall in all orientations
<b>Standards:</b>	ETL, cETL, Energy Star 2.0, Title 24 JA8-2016 Compliant Damp Location Listed
<b>Construction:</b>	Durable steel body with thick opal glass



### FINISHES



### LINE DRAWING



FM-4115