

INSTALLATION INSTRUCTIONS

LED CABINET PUCK LIGHTS

WAC

HR-LED10

CAUTION: TO PREVENT ELECTRICAL SHOCK, ENSURE ELECTRICITY HAS BEEN TURNED OFF AT THE CIRCUIT BREAKER BEFORE BEGINNING.

- Read all instructions before installing.
- System is intended for installation by a licensed electrician in accordance with the National Electrical Code (NEC) and local regulations.
- When handling the fixture, do not apply pressure to the LEDs. Hold the fixture by the base only.

WARNING: All parts must be used as indicated in these instructions. This product is designed for use only with the supplied parts and/or accessories designated for use by WAC Lighting. Substitution of parts or accessories not designated for use with this product by WAC Lighting could result in personal injury or property damage and will void the warranty. Contact an authorized dealer or the manufacturer if any parts are damaged or missing.

AVERTISSEMENT

IMPORTANT : Coupez l'électricité avant TOUTE manipulation.

- Lisez toutes les instructions avant d'installer.
- Système est destiné à être installé par un électricien qualifié en conformité avec le code national de l'électricité et les règlements locaux.
- Accédez au panneau central de disjoncteurs ou de fusibles de votre demeure et placez l'interrupteur principal en position d'arrêt (« OFF »).
- Placez l'interrupteur mural en position d'arrêt (« OFF »).

MISE EN GARDE

- Toutes les pièces doivent être utilisées tel qu'il est indiqué dans ces instructions. Ne remplacez pas les pièces, n'en laissez pas de côté et ne les utilisez pas si elles sont usées ou brisées. Le non-respect de ces instructions peut annuler l'homologation ETL/CETL du luminaire. MISE EN GARDE Ors de la manipulation de l'appareil, ne pas appliquer de pression à la LED, tenir l'appareil par la seule base.

ADVERTENCIA

IMPORTANTE: NUNCA intente hacer trabajos sin desconectar el suministro eléctrico.

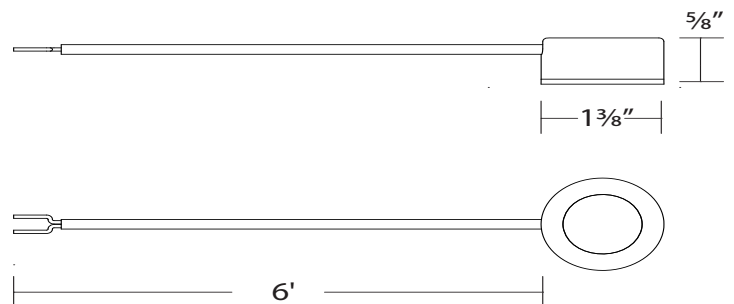
- Lea y comprenda todas las instrucciones e ilustraciones por completo antes de proceder con el ensamblaje e instalación de esta lámpara.
- Sistema está diseñado para ser instalado por un electricista calificado, de acuerdo con el código eléctrico nacional y las normas locales.
- Diríjase a la caja de fusibles o a la caja del interruptor de circuito principal en su hogar. Coloque el interruptor de alimentación principal en la posición "OFF" (APAGADO).
- Coloque el interruptor de la pared en la posición "OFF" (APAGADO).

PRECAUCIÓN

- Todas las piezas deben usarse como lo indican estas instrucciones. No reemplace las piezas, no omita piezas durante la instalación ni utilice piezas gastadas o rotas. El incumplimiento de esta indicación podría invalidar la calificación ETL/CETL esta lámpara. PRECAUCIÓN Al manipular el aparato, no aplique presión a los LED, mantenga el aparato en la base sólo.

CAUTION - To reduce the risk of fire, electric shock, or injury to persons:

- Use only insulated staples or plastic ties to secure cords
- Route and secure cords so that they will not be pinched or damaged when the cabinet is pushed to the wall
- Position the portable cabinet light with respect to the cabinet so the lamp replacement markings are able to be read during relamping
- Not intended for recessed installation in ceiling or soffits
- The National Electrical Code (NEC) does not permit cords to be concealed where damage to insulation may go unnoticed. To prevent fire danger, do not run cord behind walls, ceiling, soffits or cabinets where it may be inaccessible for examination. Cords should be visually examined periodically and immediately replaced when any damage is noted.



wacighting.com
Phone (800) 526.2588
Fax (800) 526.2585

Headquarters/Eastern Distribution Center
44 Harbor Park Drive
Port Washington, NY 11050

Central Distribution Center
1600 Distribution Ct
Lithia Springs, GA 30122

Western Distribution Center
1750 Archibald Avenue
Ontario, CA 91760



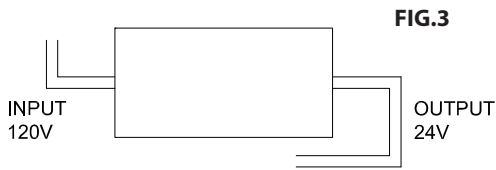
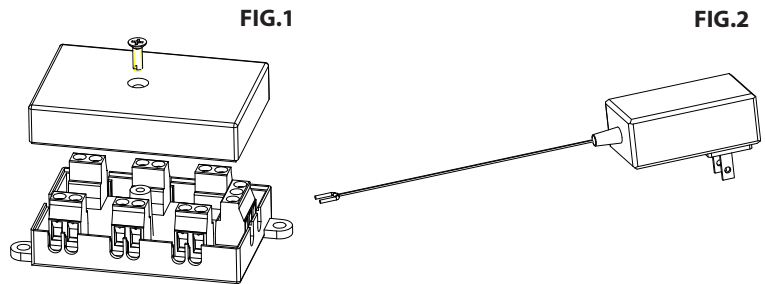
INSTALLATION INSTRUCTIONS

LED CABINET PUCK LIGHTS

HR-LED10

INPUT POWER WIRING

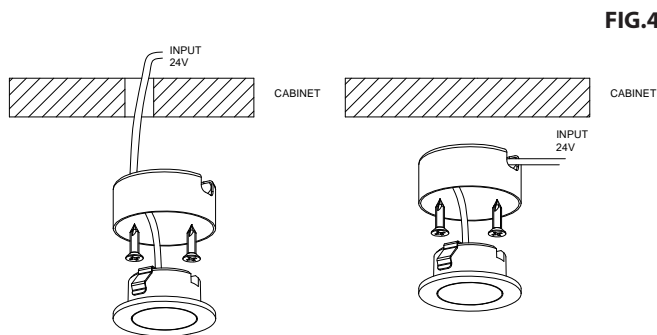
1. Unscrew the multiple terminal block (MTB) and remove the top cover (**FIG. 1**)
2. If using the portable wall plug (EN-2420D-P) (**FIG. 2**):
 - a. Connect exposed wire to input end of the MTB
3. If using 24VAC/VDC driver or transformer (**FIG. 3**):
 - a. Connect house supply wire to driver input
 - b. Connect driver output to MTB input



Recommended WAC Drivers (FIG.3)

For best performance, please use the following list of recommended drivers:

Driver Model Number	Maximum Number of Fixtures
EN-24DC060-UNV-RB2	30
EN-24DC096-UNV-RB2	48
EN-2460-P-AR	25
EN-2460-RB2	25
EN24100-RB2	40



Cable can be routed along mounting surface or routed above if access permits

SURFACE MOUNTING (FIG. 4)

1. Push on the back side of each fixture to remove the trims from the housings.
2. Mount the housings at the desired installation locations.

Note: Please refer to the cable lengths on Page 1 when determining housing locations. Plan accordingly to make sure lead cables are long enough to reach the MTB.
3. Route the cables through the cable slots in the housing. If possible, you may also drill $\frac{1}{8}$ " holes through the mounting surface and route your cables above the surface.
4. Push your trim into the housing and connect wires to MTB. Tighten the cover back onto the MTB.
5. Plug in plug in transformer to a wall outlet or switch breaker supply back on once installation is complete.

RECESSED MOUNTING (FIG.5)

1. Push on the back side of each fixture to remove the trims from the housings.
2. Determine desired installation locations and drill a $\frac{1}{8}$ " hole for each puck light.

Note: Please refer to the cable lengths on Page 1 when determining hole locations. Plan accordingly to make sure lead cables are long enough to reach the MTB.
3. Route the cables through the drilled hole.
4. Push your trim into the housing and connect wires to MTB. Tighten the cover back onto the MTB.
5. Plug in plug in transformer to a wall outlet or switch breaker supply back on once installation is complete.

