

INSTALLATION INSTRUCTION
Impulse LEDme® Track Luminaires
H-LED810, L-LED810, J-LED810

WAC LIGHTING
Responsible Lighting®

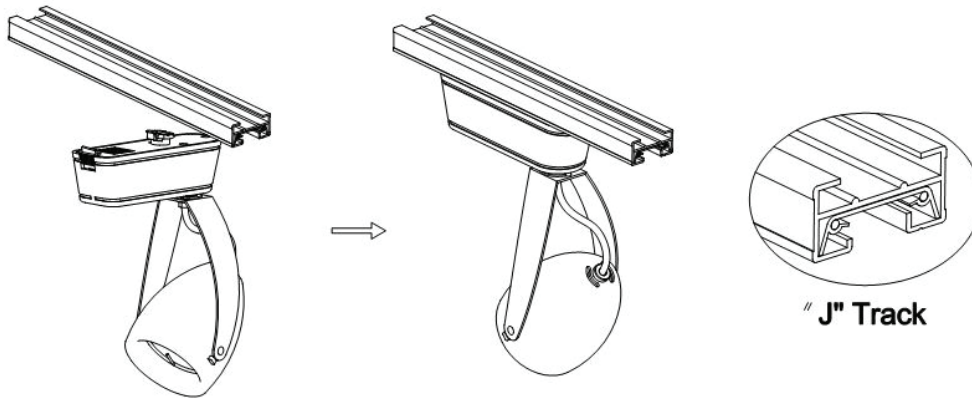
CAUTION

- For Use with WAC "J", "J2", "L", & "H" track systems. Fixture may also be used on other manufacturers' brands of track. (Consult factory for compatibility)
- Read all instructions before installing.

INSTALLATION ON TRACK:

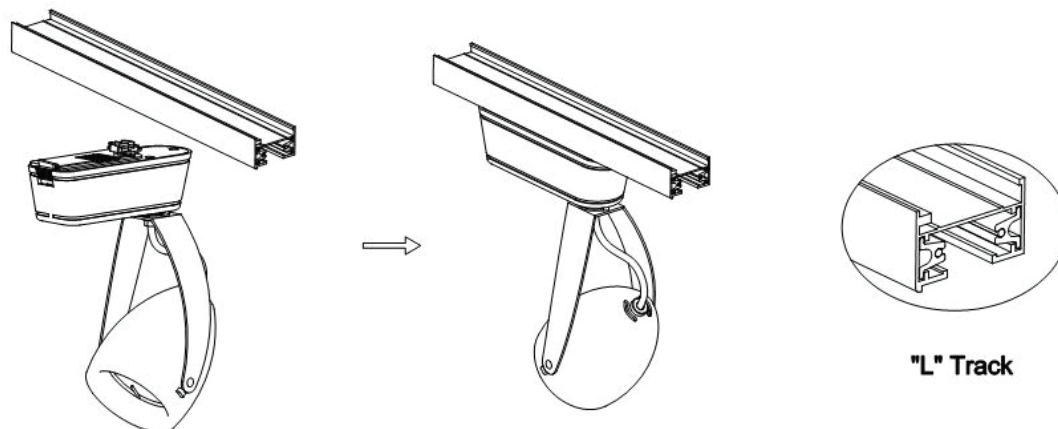
Fixture Installation for J-LED810

1. Fixtures are designed for use on "J" series WAC Lighting track only. They may also be used on other manufacturers' brands of track. (Consult factory for compatibility)
Note: The track has a groove running its length to indicate polarity, and the locking tab has a slant for easy installation.
2. Insert adapter into track slot and rotate it 90°, The "P" contact and low side of the locking tab should point to the grooved side of the track.
3. Make sure the locking tab seat properly in the track slot.
4. Reverse procedure to remove. Track heads may be positioned anywhere along the track.



FIXTURE INSTALLATION FOR L-LED810

1. Fixtures are designed for use on "L" series WAC Lighting track only. They may also be used on other manufacturers' brands of track. (Consult factory for compatibility)
Note: The track has a ridge running its length to indicate polarity, and the locking tab has a slant for easy installation.
2. Insert adapter into track slot and rotate it 90°, so that the low side of the locking tab faces the ridged side of the track.
3. Make sure the locking tabs seat properly in the track slot.
4. Reverse procedure to remove. Track heads may be positioned anywhere along the track.



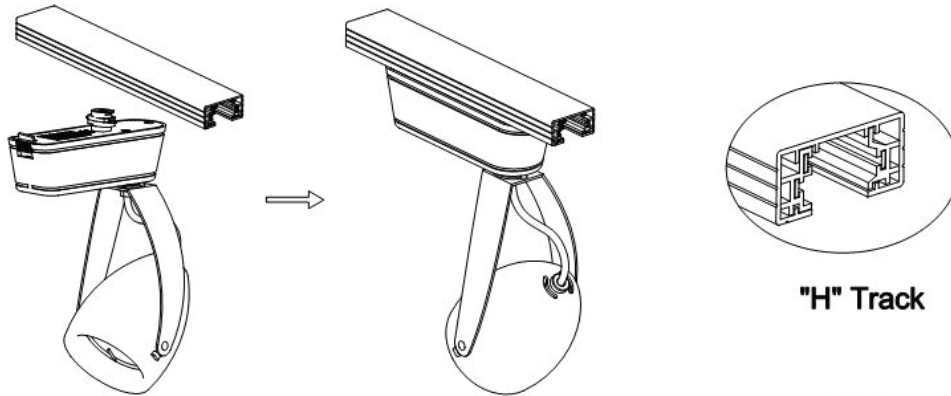
WAC Lighting
www.waclighting.com
Phone (800) 526.2588 • Fax (800) 526.2585

Headquarters/Eastern Distribution Center
44 Harbor Park Drive • Port Washington, NY 11050
Phone (516) 515.5000 • Fax (516) 515.5050

Western Distribution Center
1750 Archibald Ave • Ontario, CA 91761
Phone (800) 526.2588 • Fax (800) 526.2585

FIXTURE INSTALLATION FOR H-LED810

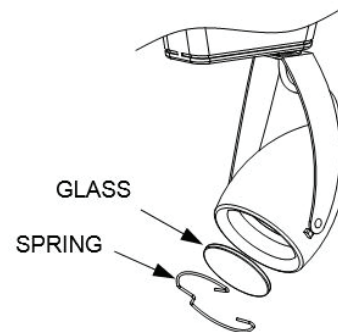
1. Fixtures are designed for use on "H" series WAC Lighting track only. They may also be used on other manufacturers' brands of track. (Consult factory for compatibility)
Note: The track has a groove running its length to indicate polarity, and the locking tab has a slant for easy installation.
2. Insert adapter into track slot, the two contacts should be positioned so that when rotated it 90°, they will face the grooved side of the track. (This is the side with two flat copper wires running its length)
3. Make sure the locking tabs seat properly in the track slot.
4. Reverse procedure to remove. Track heads may be positioned anywhere along the track.



**OPTIONAL ACCESSORIES:
LENS (SPECIALTY LENSES MAY BE ORDERED SEPARATELY)**

REPLACING THE LENS

1. Squeeze the ends of the spring together and remove spring and lens
2. Replace lens and snap spring back into position



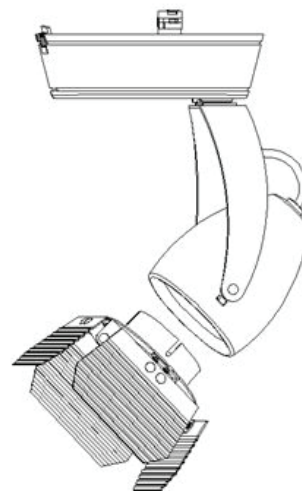
FRAMING PROJECTOR AND BARN DOORS (ORDERED SEPARATELY)

INSTALLING FRAMING PROJECTOR OR BARN DOORS

These accessories are simply press-fitted by hand into the front of the fixture. Lens should be installed prior.



Framing Projector



Barn Doors